

Sonoco Plastics.
Delivering high quality and innovative solutions.



Roving Bobbins

Application and Specification

- Development in co-operation with the machine manufacturers according to their specifications and to the requirements of application.
- Suitable for cotton and worsted roving frames, e.g. CSM/Großenhain, Marzoli /Rieter, Toyoda, Zinser.

Material and Packaging

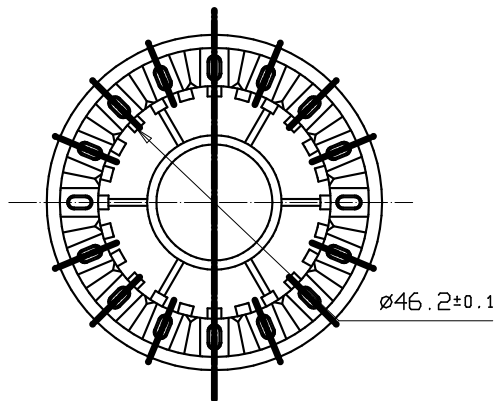
- Up to a total length of 550 mm.
- With start-up-band for roving catch at top, bottom or without.
- Made of various types of plastics, depending on the technical-technological requirements, suitable for bobbin revolutions faster than 1400 rpm with highest accuracy of concentricity.
- Suitable for manual bobbin change and automatic doffing.
- As special version with special POM-feed bushing.
- Colour identifications rings as possible accessories.
- Large variety of colours.
- SONOCO Plastics Germany GmbH has been certified according to DIN EN ISO 9001.

ONE COMPANY
INFINITE PACKAGING SOLUTIONSSM

Sonoco Plastics Germany GmbH | Lindenstrasse 20 | 53842 Troisdorf
T: +49 2241 48000 | F: +49 2241 480066 | sales.plastics@sonoco.com | www.sonoco.com

SONOCO
PLASTICSTM

Roving Bobbins



Length/Lift	Inner \varnothing	Top \varnothing	Outer \varnothing	Spindel \varnothing
340mm / 12"	40,3	25,2	48,0	25,0
400mm / 14"	40,3	25,2	48,0	25,2
300mm / 12"	39,4	22,3	48,0	25,2
350mm / 14"	40,3	25,2	48,0	25,0
450mm / 16"	40,3	25,2	48,0	25,0
406mm / 14"	39,4	22,2	45,0	22,0
395mm / 14"	40,3	25,2	48,0	25,0
450mm / 16"	40,3	25,2	48,0	25,0
450mm / 16"	42,0	24,8	53,5	24,8
450mm / 16"	50,3	25,2	56,0	25,0
550mm / 20"	50,3	25,2	56,0	25,0
400mm / 16"	50,3	25,2	56,0	25,0

