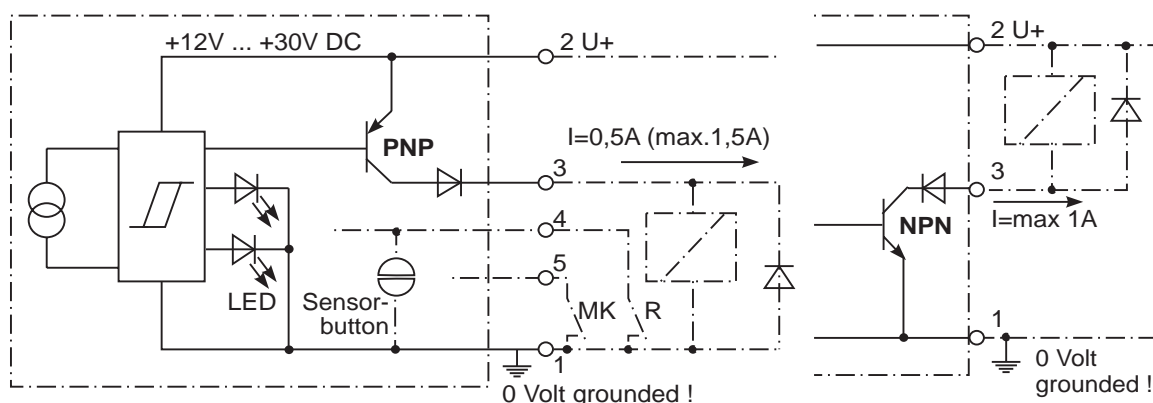


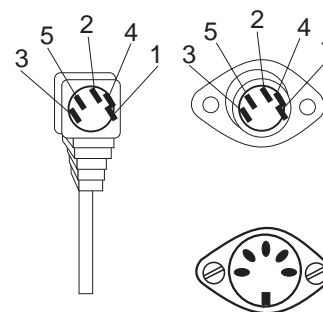
## Connection Diagram "SENSOSTOP" Yarn Stop Motion Switches with Sensor Button - Output Switching "PNP"(positive) or "NPN"(negative)-



pin 1	brown	0 V
pin 2	white	U+ :+12V...+30V DC
pin 3	green	output ; switches at yarn breakage (or stop).
pin 4	yellow	R = external button for reset (connected on a short-term basis with 0V).
pin 5	grey	MK = exit remains passive as long as this Pin is connected with 0V.

**Cable:** standard version with 5-pole stereo plug, 300 or 1300 mm long.

**Special Lengths and Power Supply Units:** on request.



### Possible Status of the Sensors:

	<u>red LED</u>	<u>green LED</u>	<u>output</u>
[1] Running yarn	off	on	passive
[2] Missing or stopped yarn	on	off	* active
[3] Turn-on delay is active	8 times slow blinking	on	passive
[4] Turn-on delay over, sensor at stand-by	fast blinking	on	passive

\* If output is "static", it is active as long as there is no running yarn;  
If output is "dynamic", it is only active for approx.1s, then passive until running yarn stops again.

### Possible Sequences of SENSOSTOP-Logic:

"A" Function sequence after power is turned on :

Power-on delay is active; red LED is slowly blinking 8 times and simultaneous the green LED is on (status [3]); when delay is over the green LED is off and red LED on (status [2]).

"B" Yarn is running (normal operation) :

After expiration of reaction time (ton) the red LED goes out and green LED goes on (status [1]).

"C" Missing or stopped yarn (yarn brakes / bobbin empty) :

After release time (toff) green LED goes out, red LED goes on and output is active (stopsignal / status [2]); when yarn is running again sensor works on sequence "B".

"D" Use of sensor button or external reset :

During touching: red and green LEDs both light.

After touching: turn-on delay is active (red LED is blinking slowly 8 times and simultaneous the green LED is on = status [3]); then red LED is blinking faster (status [4]) and sensor output is passive (without time limit) until next activation by running yarn. Sensor works on sequence "B" again.

EFW\_01GB / 9812

**OTTO STÜBER GMBH & CO. KG**

D - 73266 Bissingen/Teck • Germany

Pfarrstrasse 23 • POB 52

Telefon +49 (0) 70 23 / 95 02 - 0

Telefax +49 (0) 70 23 / 95 02 - 33

# STÜBER

http://www.stuber.de • email: info@stuber.de