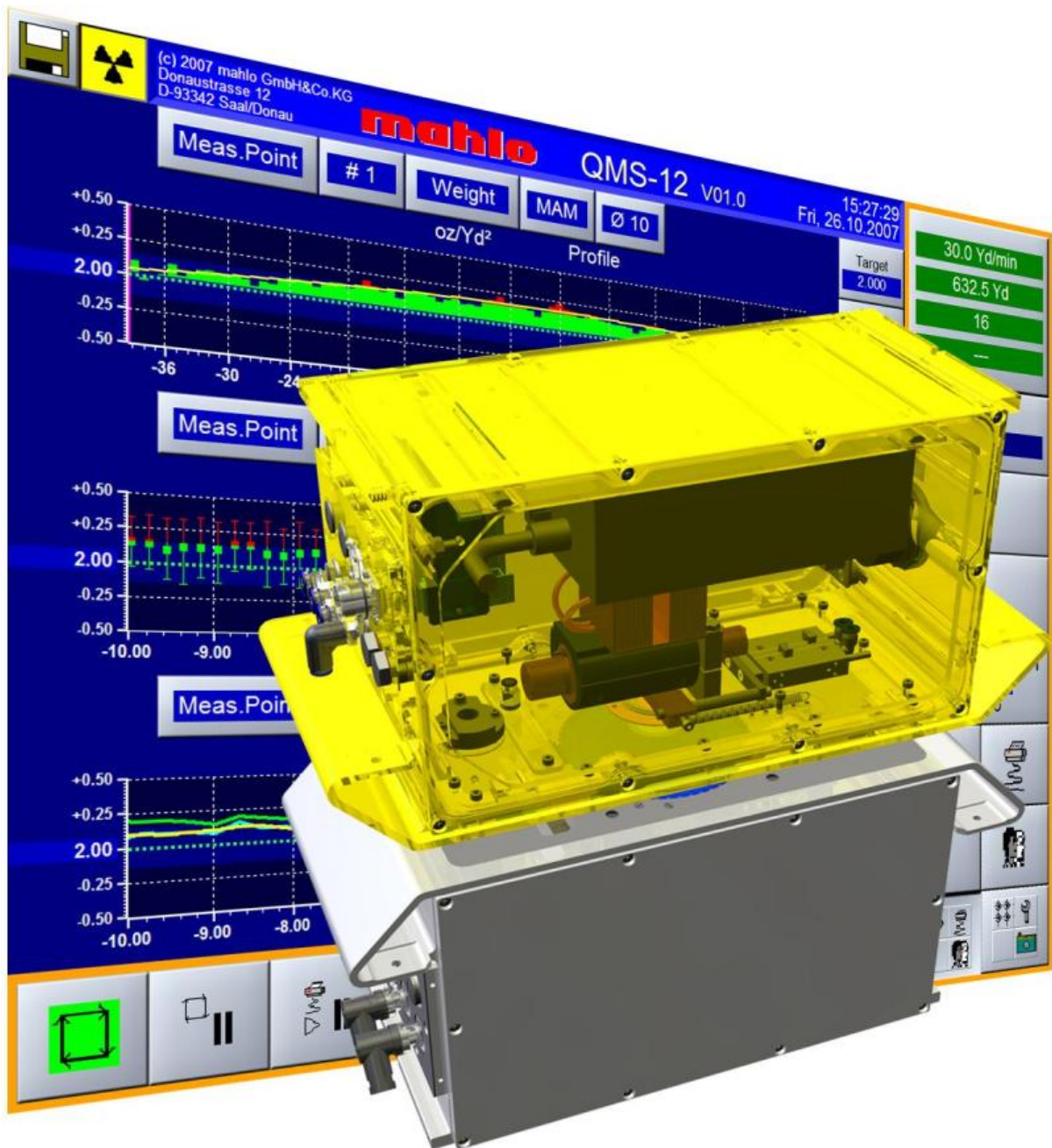


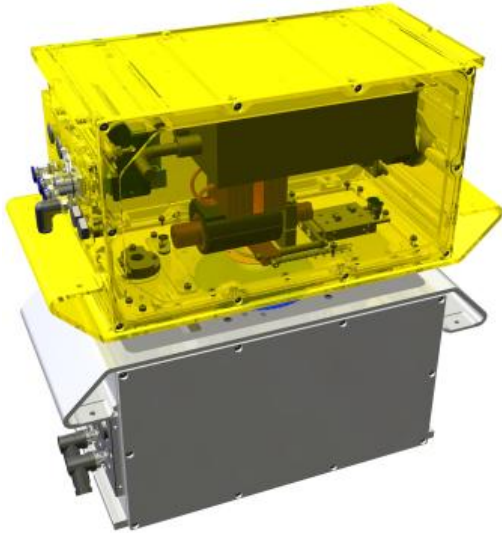
GRAVIMAT FMX-T

Non-nuclear measurement
of basis weight / thickness



GRAVIMAT FMX-T

Low Voltage X-Ray Sensor



Precise Measurement

The Mahlo FMX-T measures the basis weight (or calculated thickness) of thin films, nonwovens, and other webs with ultra-fine resolution, accuracy and defect detection.

Applications

- Nonwovens
- Plastic

Benefits

- Non-Nuclear: X-ray tube works without radioactive isotope emitter and can be turned off
- X-Ray energy below 5kv and exempt from Regulations!
- Can measure a large range of thickness down to very thin films
- Excellent CD resolution for accurate profile control
- Finely focused measurement spot for very narrow Streak / Die Line / Defect Detection
- Virtually no measurement noise
- No water cooling required

Product-Highlights

- ✓ Non-nuclear
- ✓ Contactless, non-destructive
- ✓ Intelligent sensor with fast onboard micro processing
- ✓ High resolution



The Mahlo FMX-T can be traversed using any of Mahlo's wide range of precision, rugged O-Frame Scanners and our full suite of Display and control features

Customer Benefits

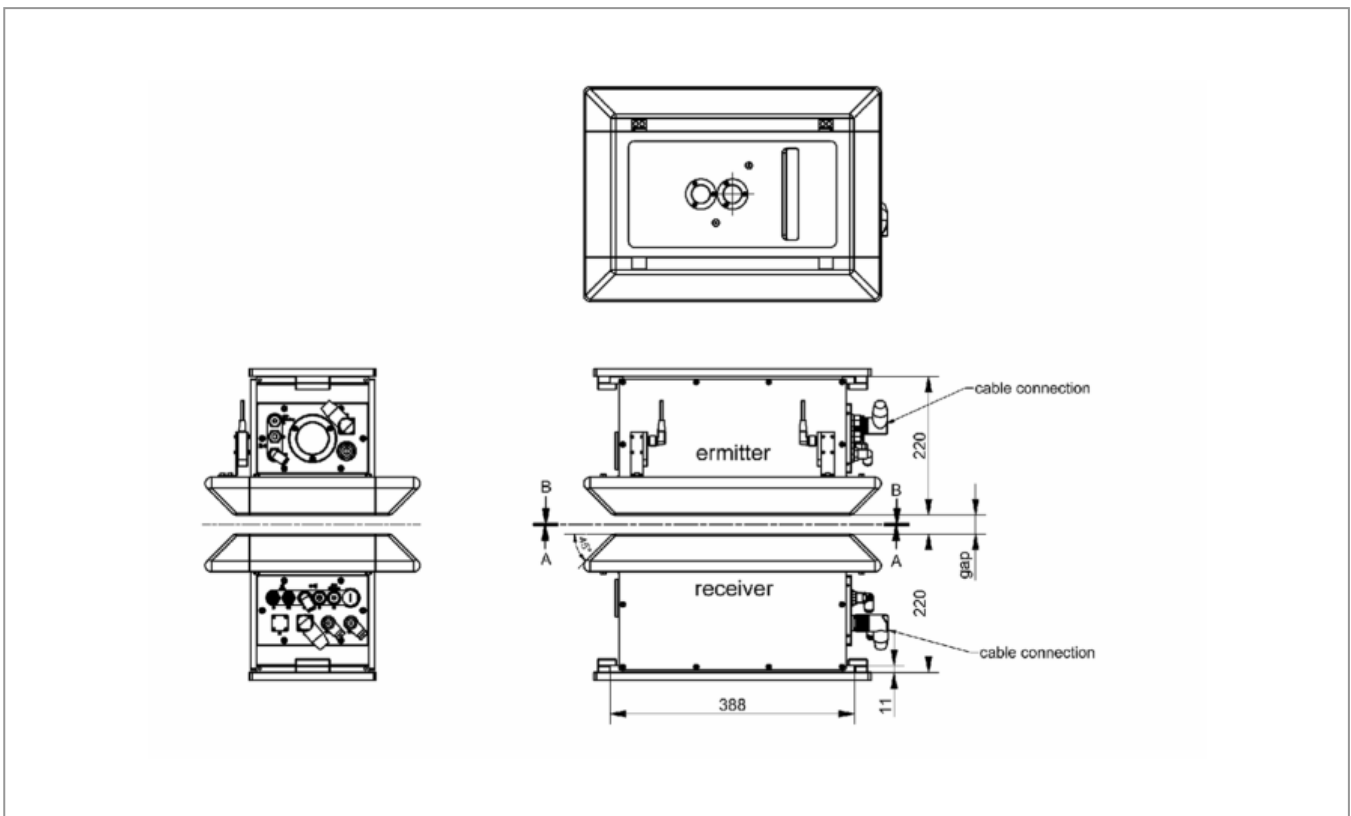
- ✓ Non-destructive, continuous measurement of basis weight / thickness
- ✓ High measuring accuracy
- ✓ Low maintenance and low cost of ownership

Specifications

Sensor	GRAVIMAT FMXT	
Measurement principle	X-Ray absorption	
Beam generator	X-Ray tube	
Measurement Range (basis weight)	PET: 10 g/m ² – 700 g/m ²	
Repeatability (2σ, 1s) (the greater)	± 0.1 % or ± 0.1 g/m ²	
Measurement Gap	10 / 15 mm	
Power supply	24 V DC	
Maximum current usage	Source max. 4 A (continuous: 2 A)	Detector max. 2 A (continuous: 0.3 A)
Max. ambient temperature	50° C, 0 - 95 % relative humidity (non-condensing)	

Can be used in

- ✓ Qualiscan QMS





Measuring systems, control systems, automation:

MAHLO® ENSURES QUALITY. WHEREVER YOU ARE IN THE WORLD.

The best possible technical support and know-how transfer is highly emphasised at Mahlo®. Thanks to many international representatives and service stations, customers around the world are never far from expert assistance. 365 days a year, 24 hours a day – we're there for you. Get in touch with us!

- ✓ Over 40 service stations worldwide
- ✓ Direct service and spare parts delivery within 24h
- ✓ Remote diagnostics system
- ✓ Service Hotline: +49-180-5062456



Mahlo GmbH & Co. KG Germany

Donaustr. 12, 93342 Saal/Donau
Tel.: +49-9441-601-0
Fax: +49-9441-601-102
info@mahlo.com

Mahlo España S.L. Spain

C/ Santa Margarida, s/n – Nave nº13
Poligono Industrial Riera de Caldes – Boada Vell
E08184 Palau Solità i Plegamans (Barcelona)
Tel.: +34-938-640-549
mahlo.espana@mahlo.com

Mahlo Italia S.R.L. Italy

Via Fiume 62, 21020 Daverio
Tel.: +39-03-32-94-95-58
Fax: +39-03-32-94-85-86
mahlo.italia@mahlo.com

Mahlo Ouest S.P.R.L. Belgium

Quantum Center
Hütte 79 - Bte 10
4700 Eupen
Tel.: +32-87-59-69-00
Fax: +32-87-59-69-09
mahlo.ouest@mahlo.com

Mahlo America Inc. USA

P.O. Box 2825, Spartanburg, S.C. 29304
Tel.: +1-864-576-62-88
Fax: +1-864-576-00-09
mahlo.america@mahlo.com

Mahlo do Brasil Controle de Processos Ltda.

Brazil
Rua dos Lírios 849 e 851
Cidade Jardim II - Americana – SP
Brasil CEP- 13466-580
Tel.: +55-19-3407-7954 / +55-19-3601-7363
Fax: +55-19-3405-4743
mahlo.brazil@mahlo.com

WWW.MAHLO.COM



Quality made
in Germany